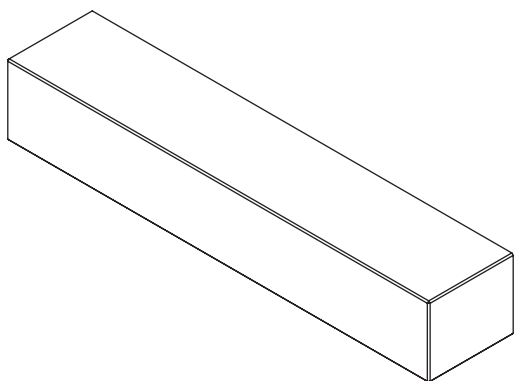


# Plinth Shelf

by Norm Architects



MENU

ATTENTION! Use screws and wall plugs that are suitable for the walls in your home. If you are uncertain as to which types of screws/wall plugs to use, you should ask your DIY store.

If the Plinth shelf is mounted according to the assembly instruction, and the recommendations of screws and wall plugs, it can handle **up to 8 kg**.

Please note - it's possible to hang the shelf horizontal or vertical according to assembly instruction.

**Specifications**

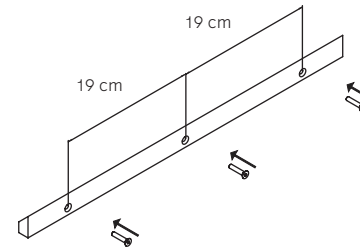
Size: H: 10 cm, L: 60 cm, W: 12 cm

Weight: 1 pc - 3,5 kg

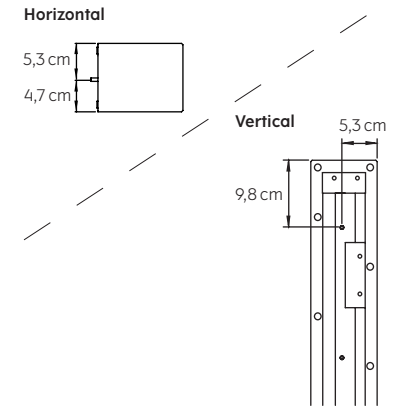
**Care and maintenance**

Please see care instructions on [www.menuspace.com](http://www.menuspace.com)

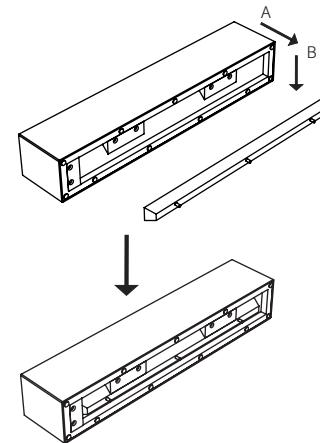
1



2



3 horizontal



3 vertical

